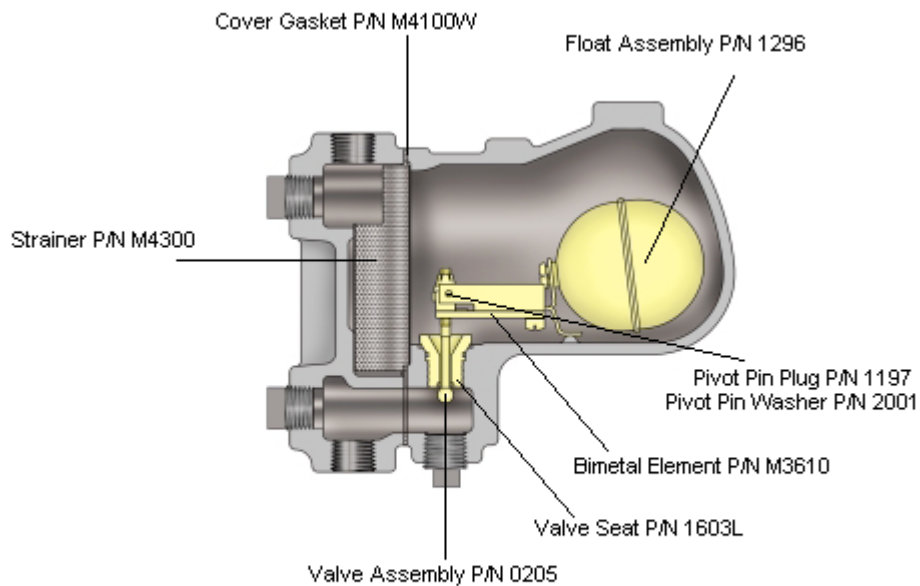




MFT2-15 Repair Kit

- (1) Bimetal Element Part Number M3610
- (1) Float Assembly Part Number 1296
- (1) Valve Assembly Part Number 0205
- (1) Valve Seat Part Number 1603L
- (1) Cover Gasket Part Number M4100W
- (1) Strainer Part Number M4300
- * (2) Pivot Pin Plug Part Number 1197
- * (2) Pivot Pin Washer Part Number 2001

*Optional Parts



*Tools required for repair:
Stem Key Part Number L99001

Velan recommends setting trap with digital calibrator, please call the number listed below if you require assistance