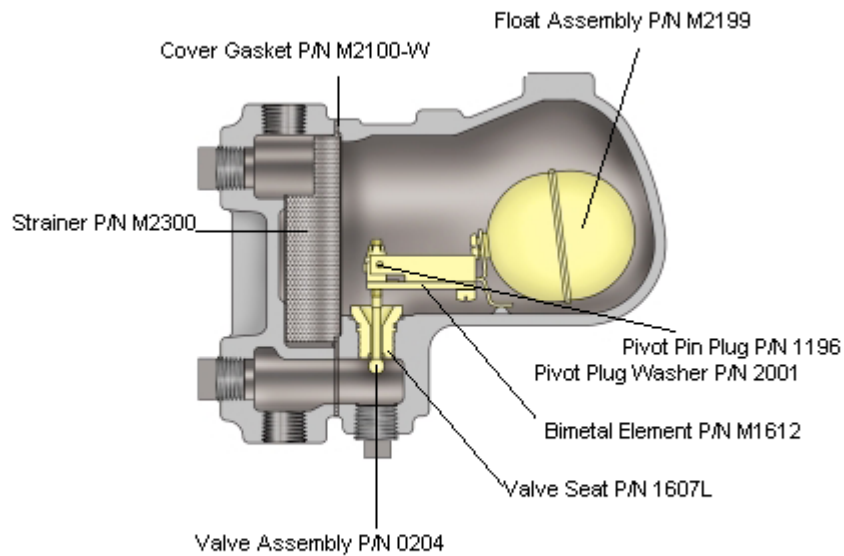




## MFT1-125 Repair Kit

- (1) Bimetal Element Part Number M1612
- (1) Float Assembly Part Number M1299
- (1) Valve Assembly Part Number 0204
- (1) Valve Seat Part Number 1607L
- (1) Cover Gasket Part Number M2100-W
- (1) Strainer Part Number M2300
- \* (2) Pivot Pin Plug Part Number 1196
- \* (2) Pivot Plug Washer Part Number 2001

\*Optional Parts



\*Tools required for repair:  
Stem Key Part Number L99001

Velan recommends setting trap with digital calibrator, please call the number listed below if you require assistance