

**THE CHALLENGE:**

# STOP PREMATURE TRAP FAILURE



**THE SOLUTION:**

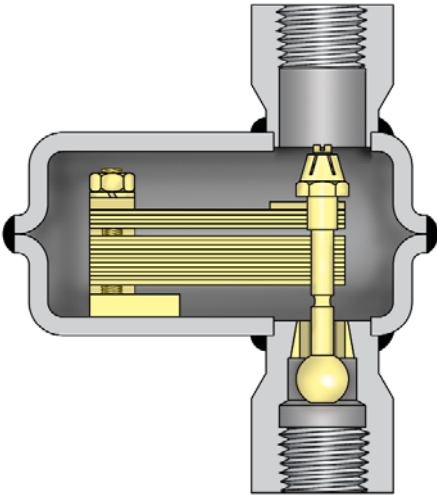
# VELAN

## Steam Traps

# Turn Loss of Steam

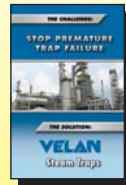


**The Most Durable  
Tracing Steam Trap  
on the Market**



**The Velan Steam Trap**

**To learn where  
Velan Steam Traps  
are found in  
your facility visit  
[www.velansteamtraps.com](http://www.velansteamtraps.com)  
and click on this icon**



To learn more about Velan Steam Traps and request a free catalog visit:  
[www.velansteamtraps.com](http://www.velansteamtraps.com) or call 1-800-860-0233

# VELAN

# eam into Profit



## **Velan's Advanced Steam Trap Technology will STOP PREMATURE TRAP FAILURE**

**Velan Steam Traps last longer than any other steam trap available today. With the exclusive use of Stellite in the valve seat construction, and a modulated discharge design, Velan Steam Traps provide the lowest cost of ownership for your specific application.**

- Velan Steam Traps outperform the competition in design and durability
- Velan Steam Traps modulate flow rather than blast on and off, increasing efficiency
- Exclusive Stellite construction has twice the wear tolerance of hardened stainless steel for tight shutoff and long life

**[www.velansteamtraps.com](http://www.velansteamtraps.com)**



Steam Trap Sales  
c/o James D. Acers Company, Master Distributor  
1510 12th Street  
Cloquet, MN 55720  
United States of America

PRESORTED  
FIRST-CLASS MAIL  
U.S. POSTAGE  
PAID  
Brainerd, MN  
Permit No. 472



**Turn Loss of Steam into Profit**